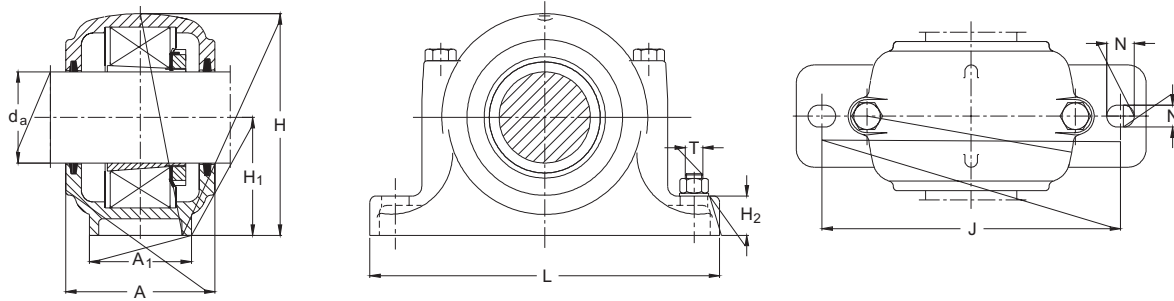




SN 500 & 600 Plummer Block Housing for bearings with ADAPTER SLEEVE **TABLE - 9**
shaft dia 20 to 140 mm



Material	C.I. FG 150 - IS 210, 1993
Mfg. Standard	IS 14347 - 1996 , ISO 113 - 1994
Seal	Felt
Lubrication	Grease
Type	Horizontal Split Type
Application	Economic replaceable units, normally require little maintenance. Used in general industrial application having moderate load & speed in relative clean surrounding.
Option Available	a) Four Foundation Bolt Hole Base b) Labyrinth seal c) End Cover for closed end d) Material-C.S.Gr.280/520,IS1030 e) Solid Base for heavy load application

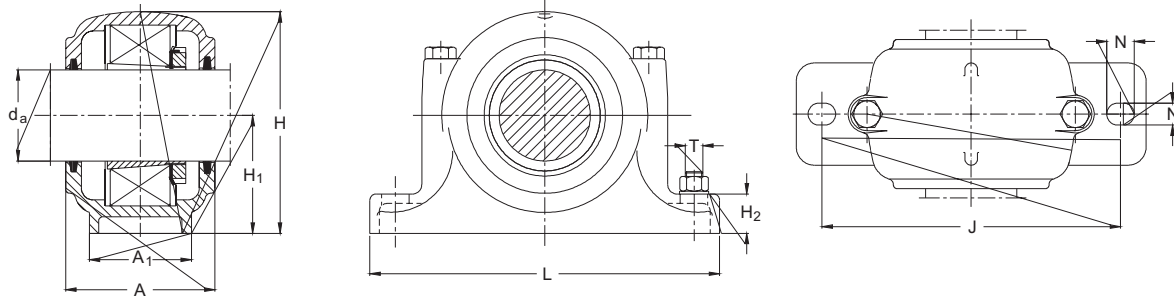
Shaft dia.		Housing Dimensions					Approx Weight	Designation	Suitable Bearing with adapter sleeve	Locating ring(s)	Felt strip	Grease initial fill (recommended)							
d _a	A	A ₁	H	H ₁	H ₂	J	L	N	N ₁	T									
mm											kg								
												size	Qty.	size	Qty.	kg.			
20	67	46	75	40	19	130	165	20	15	12	1,12	SN 505	1205 K + H 205	FRB 5/52	2	FS 110	2	0.030	
													2205 K + H 305	FRB 7/52	1				
25	77	52	90	50	22	150	185	20	15	12	1,63	SN 506	1206 K + H 206	FRB 7/62	2	FS 190	2	0.040	
													2206 K + H 306	FRB 10/62	1				
30	82	52	95	50	22	150	185	20	15	12	1,85	SN 606	1306 K + H 306	FRB 9/72	2	FS 190	2	0.07	
													2306 K + H 2306	FRB 10/72	1				
30	82	52	95	50	22	150	185	20	15	12	1,93	SN 507	1207 K + H 207	FRB 8/72	2	FS 190	2	0.050	
													2207 K + H 307	FRB 10/72	1				
													22207 CCK + H 307	FRB 10/72	1				
35	85	60	110	60	25	170	205	20	15	12	2,63	SN 508	1208 K + H 208	FRB 8/80	2	FS 190	2	0.070	
													2208 K + H 308	FRB 10/80	1				
35	95	60	115	60	25	170	205	20	15	12	3,15	SN 608	1308 K + H 308	FRB 10/90	2	FS 190	2	0.10	
													2308 K + H 2308	FRB 10/90	1				
													21308 K + H 308	FRB 10/90	2				
														22308 CK + H 2308	FRB 10/90	1			

TABLE - 9

Shaft dia.	Housing Dimensions											Approx Weight	Designation	Suitable Bearing with adapter sleeve	Locating ring(s)		Felt strip		Grease initial fill (recommended)
	d _a	A	A ₁	H	H ₁	H ₂	J	L	N	N ₁	T				size	Qty.	size	Qty.	
40	85	60	110	60	25	170	205	20	15	12	2,85	SN 509	1209 K + H 209 2209 K + H 309 22209 CCK + H 309	FRB 6/85 FRB 8/85 FRB 8/85	2 1 1	FS 190	2	0.80	
	105	70	130	70	28	210	255	23	18	16	4,30	SN 609	1309 K + H 309 2309 K + H 2309 21309 K + H 309 22309 CK + H 2309	FRB 10.5/100 FRB 10/100 FRB 10.5/100 FRB 10/100	2 1 2 1	FS 190	2	0.13	
45	90	60	115	60	25	170	205	20	15	12	3,00	SN 510	1210 K + H 210 2210 K + H 310 22210 CCK + H 310	FRB 7/90 FRB 10/90 FRB 10/90	2 1 1	FS 190	2	0.10	
	115	70	135	70	30	210	255	23	18	16	4,90	SN 610	1310 K + H 310 2310 K + H 2310 21310 K + H 310 22310 CK + H 2310	FRB 11.5/110 FRB 10/110 FRB 11.5/110 FRB 10/110	2 1 2 1	FS 190	2	0.15	
50	95	70	130	70	28	210	255	23	18	16	4,00	SN 511	1211 K + H 211 2211 K + H 311 22211 CCK + H 311	FRB 6/100 FRB 8/100 FRB 8/100	2 1 1	FS 260	2	0.13	
	120	80	150	80	30	230	275	23	18	16	5,50	SN 611	1311 K + H 311 2311 K + H 2311 21311 K + H 311 22311 CK + H 2311	FRB 12/120 FRB 10/120 FRB 12/120 FRB 10/120	2 1 2 1	FS 260	2	0.25	
55	105	70	135	70	30	210	255	23	18	16	4,60	SN 512	1212 K + H 212 2212 K + H 312 22212 CCK + H 312	FRB 8/110 FRB 10/110 FRB 10/110	2 1 1	FS 260	2	0.16	
	125	80	155	80	30	230	280	23	18	16	7,10	SN 612	1312 K + H 312 2312 K + H 2312 21312 K + H 312 22312 CK + H 2312	FRB 12.5/130 FRB 10/130 FRB 12.5/130 FRB 10/130	2 1 2 1	FS 260	2	0.30	



SN 500 & 600 Plummer Block Housing for bearings with ADAPTER SLEEVE **TABLE - 9**
shaft dia 20 to 140 mm



Material	C.I. FG 150 - IS 210, 1993
Mfg. Standard	IS 14347 - 1996 , ISO 113 - 1994
Seal	Felt
Lubrication	Grease
Type	Horizontal Split Type
Application	Economic replaceable units, normally require little maintenance. Used in general industrial application having moderate load & speed in relative clean surrounding.
Option Available	a) Four Foundation Bolt Hole Base b) Labyrinth seal c) End Cover for closed end d) Material-C.S.Gr.280/520,IS1030 e) Solid Base for heavy load application

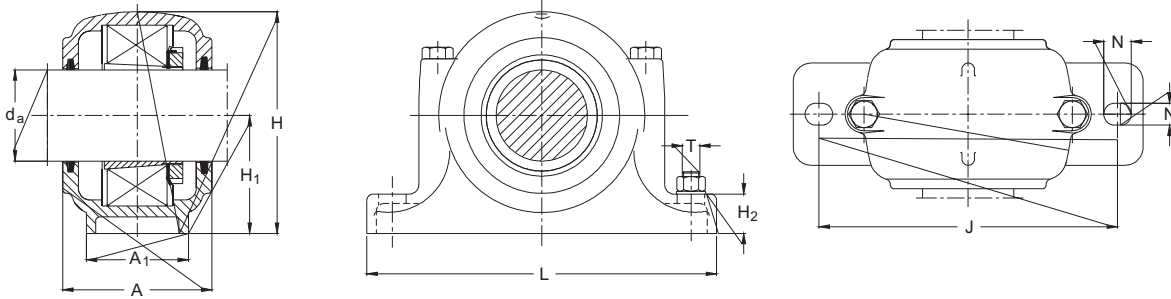
Shaft dia.		Housing Dimensions					Approx Weight	Designation	Suitable Bearing with adapter sleeve	Locating ring(s)	Felt strip		Grease initial fill (recommended)					
d _a	A	A ₁	H	H ₁	H ₂	J	L	N	N ₁	T		size	Qty.	size	Qty.	kg.		
mm											kg			size	Qty.	size	Qty.	kg.
60	110	80	150	80	30	230	275	23	18	16	5,95	SN 513	1213 K + H 213 2213 K + H 313 22213 CCK + H 313	FRB 10/120 FRB 12/120 FRB 12/120	2 1 1	FS 260	2	0.20
	130	90	175	95	32	260	315	27	22	20	9,20	SN 613	1313 K + H 313 2313 K + H 2313 21313 K + H 313 22313 CK + H 2313	FRB 12.5/140 FRB 10/140 FRB 12.5/140 FRB 10/140	2 1 2 1	FS 260	2	0.35
65	115	80	155	80	30	230	280	23	18	16	6,85	SN 515	1215 K + H 215 2215 K + H 315 22215 CCK + H 315	FRB 8/130 FRB 10/130 FRB 10/130	2 1 1	FS 260	2	0.30
	140	100	195	100	35	290	345	27	22	20	11,65	SN 615	1315 K + H 315 2315 K + H 2315 21315 K + H 315 22315 K + H 2315	FRB 14/160 FRB 10/160 FRB 14/160 FRB 10/160	2 1 2 1	FS 260	2	0.50
70	120	90	175	95	32	260	315	27	22	20	8,45	SN 516	1216 K + H 216 2216 K + H 316 22216 CCK + H 316	FRB 9/140 FRB 10/140 FRB 10/140	2 1 1	FS 330	2	0.35
	145	100	210	112	35	290	345	27	22	20	12,9	SN 616	1316 K + H 316 2316 K + H 2316 21316 CCK + H 316 22316 CCK + H 2316	FRB 14.5/170 FRB 10/170 FRB 14.5/170 FRB 10/170	2 1 2 1	FS 330	2	0.60

TABLE - 9

Shaft dia.		Housing Dimensions										Approx Weight	Designation	Suitable Bearing with adapter sleeve	Locating ring(s)	Felt strip		Grease initial fill (recommended)	
d _a	A	A ₁	H	H ₁	H ₂	J	L	N	N ₁	T					size	Qty.	size	Qty.	kg.
mm											kg								
75	125	90	185	95	32	260	320	27	22	20	9,35	SN 517	1217 K + H 217 2217 K + H 317 22217 CCK + H 317	FRB 9/150 FRB 10/150 FRB 10/150	2 1 1	FS 330	2	0.40	
	155	110	215	112	40	320	380	32	26	24	15,50	SN 617	1317 K + H 317 2317 K + H 2317 21317 CCK + H 317 22317 CCK + H 2317	FRB 14.5/180 FRB 10/180 FRB 14.5/180 FRB 10/180	2 1 2 1	FS 330	2	0.70	
80	145	100	195	100	35	290	345	27	22	20	12,30	SN 518	1218 K + H 218 2218 K + H 318 22218 CCK + H 318 23218 CCK + H 2318	FRB 16/160 FRB 11/160 FRB 11/160 FRB 10/160	2 2 2 1	FS 330	2	0.50	
	160	110	220	112	40	320	380	32	26	24	16,80	SN 618	1318 K + H 318 2318 K + H 2318 21318 K + H 318 22318 CK + H 2318	FRB 15.5/190 FRB 10/190 FRB 15.5/190 FRB 10/190	2 1 2 1	FS 330	2	0.70	
85	145	100	210	112	35	290	345	27	22	20	12,30	SN 519	1219 K + H 219 2219 K + H 319 22219 CCK + H 319	FRB 10.5/170 FRB 10/170 FRB 10/170	2 1 1	FS 330	2	0.50	
	170	120	240	125	45	350	410	32	26	24	20,50	SN 619	1319 K + H 319 2319 K + H 2319 21319 K + H 319 22319 CK + H 2319	FRB 16/200 FRB 10/200 FRB 16/200 FRB 10/200	2 1 2 1	FS 330	2	0.90	
90	160	110	215	112	40	320	380	32	26	24	15,50	SN 520	1220 K + H 220 2220 K + H 320 22220 CCK + H 320 23220 CCK + H 2320	FRB 18/180 FRB 12/180 FRB 12/180 FRB 10/180	2 2 2 1	FS 370	2	0.70	



SN 500 & 600 Plummer Block Housing for bearings with ADAPTER SLEEVE TABLE - 9
shaft dia 20 to 140 mm



Material	C.I. FG 150 - IS 210, 1993
Mfg. Standard	IS 14347 - 1996 , ISO 113 - 1994
Seal	Felt
Lubrication	Grease
Type	Horizontal Split Type
Application	Economic replaceable units, normally require little maintenance. Used in general industrial application having moderate load & speed in relative clean surrounding.
Option Available	a) Four Foundation Bolt Hole Base b) Labyrinth seal c) End Cover for closed end d) Material-C.S.Gr.280/520,IS1030 e) Solid Base for heavy load application

Shaft dia.		Housing Dimensions									Approx Weight	Designation	Suitable Bearing with adapter sleeve	Locating ring(s)	Felt strip		Grease initial fill (recommended)	
da	A	A ₁	H	H ₁	H ₂	J	L	N	N ₁	T				size	Qty.	size	Qty.	kg.
mm											kg			size	Qty.	size	Qty.	kg.
	185	120	270	140	45	350	410	32	26	24	22,80	SN 620	1320 K + H 320 2320 K + H 2320 21320 K + H 320 22320 CK + H 2320	FRB 18/215 FRB 10/215 FRB 18/215 FRB 10/215	2 1 2 1	FS 370	2	1.10
100	175	120	240	125	45	350	410	32	26	24	20,0	SN 522	1222 K + H 222 2222 K + H 322 22222 CCK + H 322 23222 CCK + H 2322	FRB 21/200 FRB 14/200 FRB 14/200 FRB 10/200	2 2 2 1	FS 460	2	0.90
	190	130	295	150	50	390	450	35	28	24	28,90	SN 622	20322 K + H 322 21322 K + H 322 22322 CK + H 2322	FRB 20/240 FRB 20/240 FRB 10/240	2 2 1	FS 460	2	1.40
110	185	120	270	140	45	350	410	32	26	24	22,8	SN 524	22224 CCK/W33 + H 3124 23224 CCK/W33 + H 2324	FRB 14/215 FRB 10/215	2 1	FS 460	2	1.10
	200	160	320	160	60	450	530	42	35	30	35,80	SN 624	20324 K + H 3124 22324 CK + H 2324	FRB 20.5/260 FRB 10/260	2 1	FS 460	2	1.50
115	190	130	290	150	50	380	445	35	28	24	28,90	SN 526	22226 CCK/W33 + H 3126 23226 CCK/W33 + H 2326	FRB 13/230 FRB 10/230	2 1	FS 460	2	1.40

TABLE - 9

Shaft dia.	Housing Dimensions										Approx Weight	Designation	Suitable Bearing with adapter sleeve	Locating ring(s)	Felt strip		Grease initial fill (recommended)	
	d _a	A	A ₁	H	H ₁	H ₂	J	L	N	N ₁					T	size		Qty.
	235	160	345	170	60	470	550	42	35	30	50,50	SN 626	20326 K + H 3126 22326 CK + H 2326	FRB 22.5/280 FRB 10/280	2 1	FS 460	2	2.00
125	205	150	305	150	50	420	500	42	35	30	36,40	SN 528	22228 CCK/W33 + H 3138 23228 CCK/W33 + H 2328	FRB 15/250 FRB 10/250	2 1	FS 510	2	1.40
	235	170	367	180	65	520	620	48	35	30	81,0	SN 628	20328 K + H 3138 22328 CK + H 2328	FRB 25/300 FRB 10/300	2 1	FS 510	2	2.40
135	220	160	325	160	60	450	530	42	35	30	43,50	SN 530	22230 CCK/W33 + H 3130 23230 CCK/W33 + H 2330	FRB 17/270 FRB 10/270	2 1	FS 510	2	1.80
	245	180	385	190	65	560	650	48	35	30	92,0	SN 630	20230 K + H 3130 22330 CK + H 2330	FRB 26.5/320 FRB 10/320	2 1	FS 510	2	2.90
140	235	160	345	170	60	470	550	42	35	30	50,50	SN 532	22232 CCK/W33 + H 3132 23232 CCK/W33 + H 2332	FRB 17/290 FRB 10/290	2 1	FS 680	2	2.00
	255	190	405	200	70	580	680	50	42	36	100	SN 632	20332 K + H 3132 22332 CK + H 2332	FRB 28/340 FRB 10/340	2 1	FS 680	2	3.00

- Note: 1. Housing is supplied with 1/8" BSP grease nipple fitted on top.
2. Housing is supplied as non-located type. For locating type order suitable locating ring ('FRB') separately.
3. Lifting Eye Bolts are provided on housings from SN 524 & SN 620 onwards.
4. Refer Table III and V for selecting alternative material and seal in case of higher load conditions.
5. Our SN, SNA & SNH type housings are designed inter-changeable for same bearing size and mounting dimensions.
6. For higher load application, solid base housings are available on request.
7. These housings are dimensionally inter-changeable and suitable to bearings of reputed make like SKF, FAG, NTN, ZKL, TIMKEN, etc.