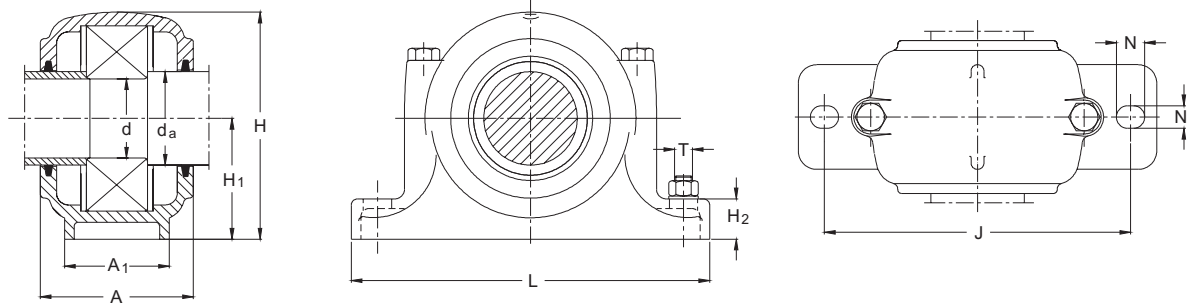




SN 200 & 300 Plummer Block Housing for Bearings with CYLINDRICAL BORE **TABLE - 10**  
shaft dia 25 to 160 mm



Material	C.I. FG 150 - IS 210, 1993
Mfg. Standard	IS 14347 - 1996 ISO 113 - 1994
Seal	Felt
Lubrication	Grease
Type	Horizontal Split Type
Application	General application having moderate load & speed in clean surrounding.
Options Available	a) 4 Foundation Bolt Hole Base b) Labyrinth seal c) End cover for closed end type d) Material : C.S. Gr 280/520 IS 1030 e) Solid base for heavy load application

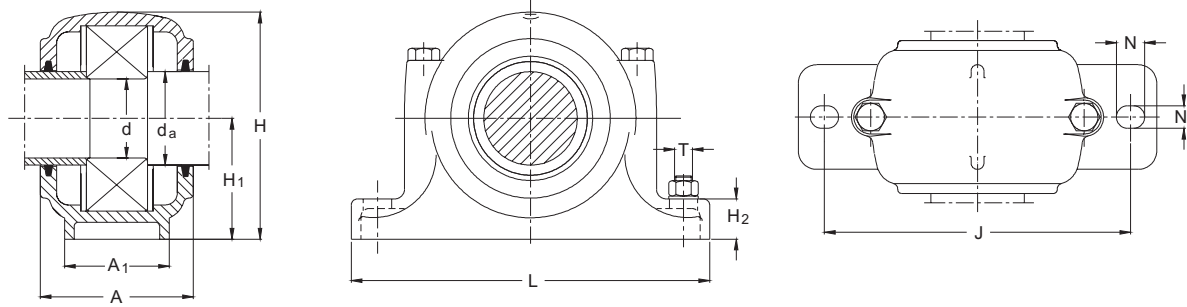
Shaft dia		Housing Dimensions										Approx Weight	Designation	Suitable Bearing Designation	Locating ring	Felt strip	Grease Weight of initial fill (recommended)		
d	d <sub>a</sub>	A	A <sub>1</sub>	H	H <sub>1</sub>	H <sub>2</sub>	J	L	N	N <sub>1</sub>	T	kg	–	–	Size	Qty	Size	Qty	kg
mm												kg	–	–	Size	Qty	Size	Qty	kg
25	30	67	46	75	40	19	130	165	20	15	12	1.12	<b>SN 205</b>	1205	FRB 5/52	2	FS 190	2	0.030
														2205	FRB 7/52	1			
														22205 C	FRB 7/52	1			
30	30	80	52	90	50	22	150	185	20	15	12	1.63	<b>SN 305</b>	1305	FRB 9/62	2	FS 190	2	0.050
														2305	FRB 10/62	1			
															21305	FRB 9/62			
30	35	77	52	90	50	22	150	185	20	15	12	1.63	<b>SN 206</b>	1206	FRB 7/62	2	FS 190	2	0.040
														2206	FRB 10/62	1			
															22206 C	FRB 10/62			
30	35	82	52	95	50	22	150	185	20	15	12	1.85	<b>SN 306</b>	1306	FRB 9/72	2	FS 190	2	0.070
														2306	FRB 10/72	1			
															21306	FRB 9/72			
35	45	92	52	95	50	22	150	185	20	15	12	1.98	<b>SN 207</b>	1207	FRB 8/72	2	FS 190	2	0.050
														2207	FRB 10/72	1			
															22207 C	FRB 10/72			
35	45	90	60	110	60	25	170	205	20	15	12	2.65	<b>SN 307</b>	1307	FRB 10/80	2	FS 190	2	0.090
														2307	FRB 10/80	1			
															21307	FRB 10/80			
40	50	85	60	110	60	25	170	205	20	15	12	2.63	<b>SN 208</b>	1208	FRB 8/80	2	FS 260	2	0.070
														2208	FRB 10/80	1			
															22208 C	FRB 10/80			
40	50	95	60	115	60	25	170	205	20	15	12	3.00	<b>SN 308</b>	1308	FRB 10/90	2	FS 260	2	0.120
														2308	FRB 10/90	1			
														21308	FRB 10/90	2			
															22308 C	FRB 10/90			

TABLE - 10

Shaft dia		Housing Dimensions										Approx Designation Weight	Suitable Bearing Designation	Locating ring	Felt strip	Grease Weight of initial fill (recommended)			
d	d <sub>a</sub>	A	A <sub>1</sub>	H	H <sub>1</sub>	H <sub>2</sub>	J	L	N	N <sub>1</sub>	T	kg	–	–	Size	Qty	Size	Qty	kg
45	55	85	60	110	60	25	170	205	20	15	12	2.85	<b>SN 209</b>	1209 2209 22209 C	FRB 6/85 FRB 8/85 FRB 8/85	2 1 1	FS 260	2	<b>0.080</b>
	55	105	70	130	70	28	210	255	23	18	16	4.15	<b>SN 309</b>	1309 2309 21309 22309 C	FRB 11/100 FRB 10/100 FRB 11/100 FRB 10/100	2 1 2 1	FS 260	2	<b>0.150</b>
50	60	90	60	115	60	25	170	205	20	15	12	3.00	<b>SN 210</b>	1210 2210 22210 C	FRB 7/90 FRB 10/90 FRB 10/90	2 1 1	FS 260	2	<b>0.100</b>
	60	115	70	135	70	30	210	255	23	18	16	4.80	<b>SN 310</b>	1210 2310 21310 22310 C	FRB 12/110 FRB 10/110 FRB 12/110 FRB 10/110	2 1 2 1	FS 260	2	<b>0.200</b>
55	65	95	70	130	70	28	210	255	23	18	16	4.00	<b>SN 211</b>	1211 2211 22211 C	FRB 6/100 FRB 8/100 FRB 8/100	2 1 1	FS 260	2	<b>0.130</b>
	65	120	80	150	80	30	230	275	23	18	16	5.5	<b>SN 311</b>	1311 2311 21311 22311C	FRB 12/120 FRB 10/120 FRB 12/120 FRB 10/120	2 1 2 1	FS 260	2	<b>0.250</b>
60	70	105	70	135	70	30	210	255	23	18	16	4.60	<b>SN 212</b>	1212 2212 22212 C	FRB 8/110 FRB 10/110 FRB 10/110	2 1 1	FS 330	2	<b>0.160</b>
	70	125	80	155	80	30	230	280	23	18	16	6.60	<b>SN 312</b>	1312 2312 21312 22312 C	FRB 13/130 FRB 10/130 FRB 13/130 FRB 10/130	2 1 2 1	FS 330	2	<b>0.300</b>
65	75	110	80	150	80	30	230	275	23	18	16	6.00	<b>SN 213</b>	1213 2213 22213 C	FRB 10/120 FRB 12/120 FRB 12/120	2 1 1	FS 330	2	<b>0.200</b>
	75	130	90	175	95	32	260	315	27	22	20	8.70	<b>SN 313</b>	1313 2313 21313 22313 C	FRB 13/140 FRB 10/140 FRB 13/140 FRB 10/140	2 1 2 1	FS 330	2	<b>0.350</b>
70	80	115	80	155	80	30	230	275	23	18	16	5.70	<b>SN 214</b>	1214 2214 22214 C	FRB 10/125 FRB 13/125 FRB 13/125	2 1 1	FS 330	2	<b>0.250</b>



SN 200 & 300 Plummer Block Housing for Bearings with CYLINDRICAL BORE **TABLE - 10**  
shaft dia 25 to 160 mm



Material	C.I. FG 150 - IS 210, 1993
Mfg. Standard	IS 14347 - 1996 ISO 113 - 1994
Seal	Felt
Lubrication	Grease
Type	Horizontal Split Type
Application	General application having moderate load & speed in clean surrounding.
Options Available	a) 4 Foundation Bolt Hole Base b) Labyrinth seal c) End cover for closed end type d) Material : C.S. Gr 280/520 IS 1030 e) Solid base for heavy load application

Shaft dia		Housing Dimensions										Approx Weight	Designation	Suitable Bearing Designation	Locating ring	Felt strip	Grease Weight of initial fill (recommended)		
d	d <sub>a</sub>	A	A <sub>1</sub>	H	H <sub>1</sub>	H <sub>2</sub>	J	L	N	N <sub>1</sub>	T	kg	–	–	Size	Qty	Size	Qty	kg
mm												kg	–	–	Size	Qty	Size	Qty	kg
80	80	130	90	185	95	32	260	320	27	22	20	10.0	<b>SN 314</b>	1314	FRB 13/150	2	FS 330	2	<b>0.408</b>
														2314	FRB 10/150	1			
														21314	FRB 13/150	2			
														22314 C	FRB 10/150	1			
75	85	115	80	155	80	30	230	280	23	18	16	6.85	<b>SN 215</b>	1215	FRB 8/130	2	FS 330	2	<b>0.300</b>
														2215	FRB 10/130	1			
														22215 C	FRB 10/130	1			
80	90	140	100	195	100	35	290	345	27	22	20	11.65	<b>SN 315</b>	1315	FRB 14/160	2	FS 330	2	<b>0.500</b>
														2315	FRB 10/160	1			
														21315	FRB 14/160	2			
														22315	FRB 10/160	1			
80	90	120	90	175	95	32	260	315	27	22	20	8.45	<b>SN 216</b>	1216	FRB 9/140	2	FS 370	2	<b>0.350</b>
														2216	FRB 10/140	1			
														22216 C	FRB 10/140	1			
														1316	FRB 15/170	2			
2316	FRB 10/170	1																	
21316	FRB 15/170	2																	
22316 C	FRB 10/170	1																	
85	95	125	90	185	95	32	260	320	27	22	20	9.35	<b>SN 217</b>	1217	FRB 9/150	2	FS 370	2	<b>0.400</b>
														2217	FRB 10/150	1			
														22217 C	FRB 10/150	1			
85	95	155	110	215	112	40	320	380	32	26	24	15.0	<b>SN 317</b>	1317	FRB 15/180	2	FS 370	2	<b>0.700</b>
														2217	FRB 10/180	1			
														21317	FRB 15/180	2			
														22317 C	FRB 10/180	1			

TABLE - 10

Shaft dia		Housing Dimensions										Approx Weight	Designation	Suitable Bearing Designation	Locating ring	Felt strip	Grease Weight of initial fill (recommended)		
d	d <sub>a</sub>	A	A <sub>1</sub>	H	H <sub>1</sub>	H <sub>2</sub>	J	L	N	N <sub>1</sub>	T	kg	–	–	Size	Qty	Size	Qty	kg
mm												kg	–	–	Size	Qty	Size	Qty	kg
<b>90</b>	100	145	100	195	100	35	290	345	27	22	20	12.1	<b>SN 218</b>	1218 2218 22218 C 23218 C	FRB 16/160 FRB 11/160 FRB 11/160 FRB 10/160	2 2 2 1	FS 370	2	<b>0.500</b>
<b>100</b>	115	160	110	215	112	40	320	380	32	26	24	15.5	<b>SN 220</b>	1220 2220 22220 C 23220 C	FRB 18/180 FRB 12/180 FRB 12/180 FRB 10/180	2 2 2 1	FS 460	2	<b>0.700</b>
<b>110</b>	125	175	120	240	125	45	350	410	32	26	24	20.0	<b>SN 222</b>	1222 2222 22222 C 23222 C	FRB 21/200 FRB 13.5/200 FRB 13.5/200 FRb 10/200	2 2 2 1	FS 510	2	<b>0.910</b>
<b>120</b>	135	185	120	270	140	45	350	410	32	26	24	22.8	<b>SN 224</b>	22224 C 23224 C	FRB 14/215 FRB 10/215	2 1	FS 510	2	<b>1.120</b>
<b>130</b>	145	190	130	290	150	50	380	445	32	26	24	28.9	<b>SN 226</b>	22226 C 23226 C	FRB 13/230 FRB 10/230	2 1	FS 510	2	<b>1.410</b>
<b>140</b>	155	205	150	305	150	50	420	500	42	35	30	36.4	<b>SN 228</b>	22228 C 23228 C	FRB 15/250 FRB 10/250	2 1	FS 680	2	<b>1.410</b>
<b>150</b>	165	220	160	325	160	60	450	530	42	35	30	43.5	<b>SN 230</b>	22230 C 23230 C	FRB 17/270 FRB 10/270	2 1	FS 680	2	<b>1.800</b>
<b>160</b>	175	235	160	345	170	60	470	550	42	35	30	50.5	<b>SN 232</b>	22232 C 23232 C	FRB 17/290 FRB 10/290	2 1	FS 680	2	<b>2.00</b>

- Note: 1. Housing is supplied with 1/8" BSP grease nipple fitted on top.  
 2. Housing is supplied as non-located type. For locating type order suitable locating ring ('FRB') separately.  
 3. Lifting Eye Bolts are provided on housings from SN 224 onwards.  
 4. Refer Table III and V for selecting alternative material and seal in case of higher load conditions.  
 5. Our SN, SNA & SNH type housings are designed inter-changeable for same bearing size and mounting dimensions.  
 6. For higher load application, solid base housings are available on request.  
 7. These housings are dimensionally inter-changeable and suitable to bearings of reputed make like SKF, FAG, NTN, ZKL, TIMKEN, e tc.