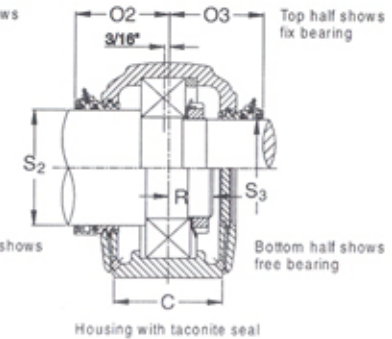
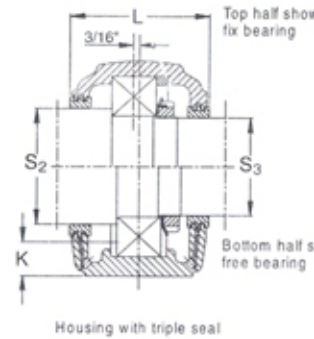
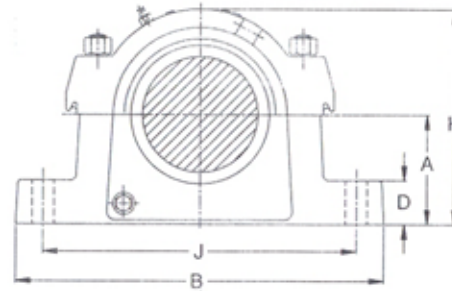
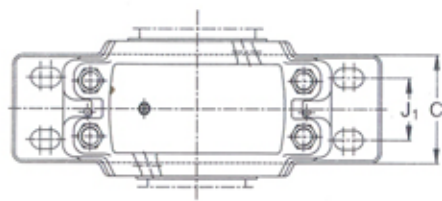




TABLE - 26

SAF 200 plummer block housing for Bearings with CYLINDRICAL BORE



Shaft Dia.		Pillow Block Housing Designation	Bearing Designation	Triple Seal Designation		Stab. Ring Designation	J				Static Oil Level			Foundation Bolts size (No. (Req'd.))	Approx Weight	Taconite Seal Designation							
S-2	S-3			S-2	S-3		A	B	C	D	Max.	Min.	J <sub>1</sub>			H	K	L	R	O <sub>2</sub>	O <sub>3</sub>	S-2	S-3
mm		(1 Req'd)		(1 Req'd)		(1 Req'd)				mm			inches	kg.	mm								
92.08	76.2	SAF 216	22216 CC/W33	LER 82	LER 54	SR 16-13	89.9	330.2	88.9	31.8	279.4	244.5	54.0	176.2	31.8	136.5	(2)-3/4 (4)-5/8	16.5	37.3	104.8	104.0	TER 82	TER 54
100.01	80.96	SAF 217	22217 CC/W33	LER 89	LER 63	SR 17-14	95.2	330.2	88.9	31.8	279.4	250.8	54.0	187.3	34.9	127.0	(2)-3/4 (4)-5/8	17.5	39.7	99.2	99.2	TER 89	TER 63
104.78	85.72	SAF 218	22218 CC/W33	LER 112	LER 191	SR 18-15	101.6	349.2	98.4	41.3	295.3	263.5	54.0	196.8	38.1	146.0	(2)-3/4 (4)-5/8	21.0	44.4	106.4	102.0	TER 112	TER 191
114.30	96.84	SAF 220	22220 CC/W33	LER 118	LER 106	SR 20-17	114.3	387.4	111.1	44.4	333.4	295.3	60.3	222.2	42.1	155.6	(2)-7/8 (4)-3/4	32.5	48.8	109.5	109.5	TER 118	TER 106
123.82	106.36	SAF 222	22222 CC/W33	LER 121	LER 113	SR 22-19	125.4	419.1	120.6	50.8	368.3	320.7	69.8	244.5	45.2	165.1	(4)-3/4	43.0	54.0	114.3	115.9	TER 121	TER 113
134.94	115.89	SAF 224	22224 CC/W33	LER 127	LER 119	SR 24-20	133.4	419.1	120.6	54.0	368.3	336.6	69.8	260.4	46.8	187.3	(4)-3/4	51.0	57.9	127.0	127.0	TER 127	TER 119
149.22	125.41	SAF 226	22226 CC/W33	LER 136	LER 122	SR 26-0	152.4	466.7	130.2	60.3	406.4	371.5	82.6	292.1	59.5	203.2	(4)-7/8	69.0	62.7	133.4	133.4	TER 136	TER 122
158.75	134.95	SAF 228	22228 CC/W33	LER 144	LER 127	SR 28-0	152.4	511.2	149.2	60.3	435.0	406.4	85.7	298.4	51.6	193.7	(4)-1	73.0	66.3	130.2	130.2	TER 144	TER 127
168.28	146.05	SAF 230	22230 CC/W33	LER 151	LER 134	SR 30-0	160.3	539.8	158.8	63.5	463.6	431.8	95.2	317.5	50.8	212.7	(4)-1	94.0	70.2	139.7	139.7	TER 151	TER 134
177.80	153.99	SAF 232	22232 CC/W33	LER 156	LER 142	SR 32-0	169.9	558.8	158.8	66.7	489.0	441.3	95.2	338.1	52.54	222.2	(4)-1	106	75.4	144.5	144.5	TER 156	TER 142
188.91	163.51	SAF 234	22234 CC/W33	LER 161	LER 148	SR 34-0	179.4	628.6	171.4	69.8	549.3	492.1	108.0	360.4	54.8	244.5	(4)-1	131	79.4	157.2	152.4	TER 161	TER 148

TABLE - 26

Shaft Dia.		Pillow Block Housing Designation	Bearing Designation	Triple Seal Designation		Stab. Ring Designation	A	B	C	D	J		J <sub>1</sub>	H	Static Oil Level		Foundation Bolts size (No. (Req'd.))	Approx Weight R	O <sub>2</sub>	O <sub>3</sub>	Taconite Seal Designation		
S-2	S-3			S-2	S-3						Max.	Min.			K	L			S-2	S-3	S-2	S-3	
mm		(1 Req'd)		(1 Req'd)		(1 Req'd)		mm						inches		kg.	mm	mm					
198.44	174.62	SAF236	22236 CC/W33	LER 165	LER 154	SR36-30	190.5	679.4	181.0	76.2	600.1	530.2	117.5	377.8	60.3	254.0	(4)-1	146	79.8	158.8	158.8	TER 165	TER 154
212.72	184.15	SAF238	22238 CC/W33	LER 171	LER 160	SR38-32	200.0	711.2	190.5	79.4	619.1	549.3	114.3	398.5	61.9	273.0	(4)-1 <sup>1</sup> / <sub>4</sub>	177	83.7	188.9	173.0	TER 171	TER 160
222.25	193.68	SAF240	22240 CC/W33	LER 175	LER 164	SR40-34	209.6	749.3	203.2	85.7	635.0	571.5	127.0	419.0	62.7	285.8	(4)-1 <sup>1</sup> / <sub>4</sub>	211	88.9	195.3	179.4	TER 175	TER 164
242.89	211.14	SAF244	22244 CC/W33	LER 179	LER 170	SR44-38	241.3	831.8	222.2	95.2	708.0	628.6	133.4	473.0	79.4	304.8	(4)-1 <sup>1</sup> / <sub>2</sub>	292	92.1	203.2	204.8	TER 179	TER 170

Material	C.I. FG 260 - IS 210, 1993
Seal	Triple seal LER
Lubrication	Grease or Oil
Type	Horizontally Split Type
Application	Suitable for heavier load and shock with unusually dusty surrounding. Its extra heavy foot pad makes the housing rugged in construction. Used in conveyor, mining cement, chemical processing etc. industries.
Options Available	a) Taconite seal for heavily contaminated surrounding (eg. coal, mining industry.) b) Material : Cast steel - SAFS ..

- Note: 1. Housing is supplied with 1/8" or 1/4" BSP grease nipple on top.  
2. For located type, suitable Stabilizing Ring ('SR') is supplied.  
3. Refer Table III and V for selecting alternative material and seal in case of higher load condition.