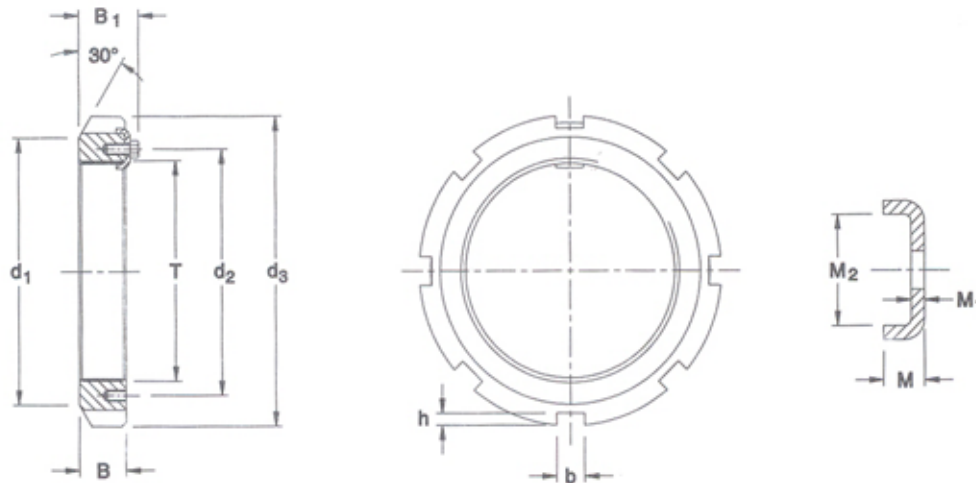


TABLE - 7

LOCK NUTS WITH LOCKING CLIP
Tr 220 x 4 to Tr 850 x 7

Material : C20 / C30
Mfg. Standard : IS 6731-1977
ISO 2982



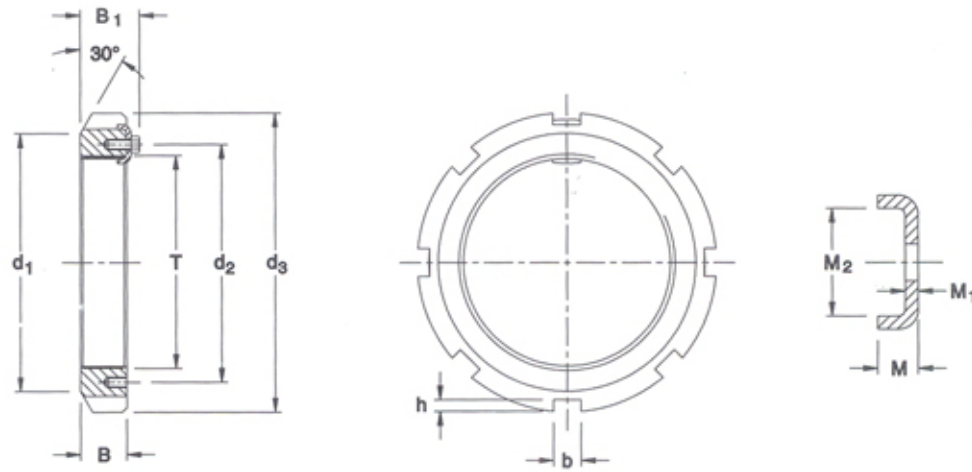
Designations Lock nut + locking clip and screw	Dimensions												Approx Weight	Hexagon- headed screw
	T	d ₁	d ₂	d ₃	B	B ₁	b	h	M	M ₁	M ₂			
mm												kg		
HM 3044 + MS 3044	Tr 220 X 4	242	229	260	30	41	20	9	12	4	13,5	2,80	M 6 X 12	
HM 3048 + MS 3052-48	Tr 240 X 4	270	253	290	34	46	20	10	12	4	17,5	4,70	M 8 X 16	
HM 3052 + MS 3052-48	Tr 260 X 4	290	273	310	34	46	20	10	12	4	17,5	5,00	M 8 X 16	
HM 3056 + MS 3056	Tr 280 X 4	310	293	330	38	50	24	10	12	4	17,5	5,75	M 8 X 16	
HM 3060 + MS 3060	Tr 300 X 4	336	316	360	42	54	24	12	12	4	20,5	8,40	M 8 X 16	
HM 3160 + MS 3160		340	326	380	40	53	24	12	12	4	30,5	11,5	M 10 X 20	
HM 3064 + MS 3068-64	Tr 320 X 5	356	336	380	42	55	24	12	15	5	21	9,20	M 8 X 16	
HM 3164 + MS 3164		360	346	400	42	56	24	12	15	5	31	13,5	M 10 X 20	
HM 3068 + MS 3068-64	Tr 340 X 5	376	356	400	45	58	24	12	15	5	21	11,0	M 8 X 16	
HM 3168 + MS 3172-68		400	373	440	55	72	28	15	15	5	38	24,0	M 12 X 25	
HM 3072 + MS 3072	Tr 360 X 5	394	375	420	45	58	28	13	15	5	20	11,5	M 8 X 16	
HM 3172 + MS 3172-68		420	393	460	58	75	28	15	15	5	38	26,5	M 12 X 25	
HM 3076 + MS 3080-76	Tr 380 X 5	422	399	450	48	62	28	14	15	5	24	15,0	M 10 X 20	
HM 3176 + MS 3176		450	415	490	60	77	32	18	15	5	40	32,2	M 12 X 25	
HM 3080 + MS 3080-76	Tr 400 X 5	442	419	470	52	66	28	14	15	5	24	17,3	M 10 X 20	
HM 3180 + MS 3184-80		470	440	520	62	82	32	18	15	5	45	38,0	M 16 X 30	
HM 3084 + MS 3084	Tr 420 X 5	462	439	490	52	66	32	14	15	5	24	18,5	M 10 X 20	
HM 3184 + MS 3184-80		490	460	540	70	90	32	18	15	5	45	45,3	M 16 X 30	
HM 3088 + MS 3092-88	Tr 440 X 5	490	463	520	60	77	32	15	15	5	28	26,0	M 12 X 25	
HM 3188 + MS 3192-88		510	478	560	70	90	36	20	15	5	43	46,5	M 16 X 30	



TABLE - 7

LOCK NUTS WITH LOCKING CLIP
Tr 220 x 4 to Tr 850 x 7

Material : C20 / C30
Mfg. Standard : IS 6731-1977
ISO 2982



Designations Lock nut + locking clip and screw	Dimensions												Approx Weight	Hexagon- headed screw
	T	d ₁	d ₂	d ₃	B	B ₁	b	h	M	M ₁	M ₂			
	mm											kg		
HM 3092 + MS 3092-88	Tr 460 X 5	510	483	540	60	77	32	15	15	5	28	27,0	M 12 X 25	
HM 3192 + MS 3192-88		540	498	580	75	95	36	20	15	5	43	50,5	M 16 X 30	
HM 3096 + MS 30/500-96	Tr 480 X 5	530	503	560	60	77	36	15	15	5	28	28,0	M 12 X 25	
HM 3196 + MS 3196		560	528	620	75	95	36	20	15	5	53	62,0	M 16 X 30	
HM 30/500 + MS 30/500-96	Tr 500 X 5	550	523	580	68	85	36	15	15	5	28	33,5	M 12 X 25	
HM 31/500 + Ms 31/500		580	540	630	80	100	40	23	15	5	45	63,5	M 16 X 30	
HM 30/530 + MS 30/600-530	Tr 530 X 6	590	558	630	68	90	40	20	21	7	34	42,5	M 16 X 30	
HM 31/530 + MS 31/530		610	575	670	80	105	40	23	21	7	51	71,5	M 20 X 40	
HM 30/560 + MS 30/560	Tr 560 X 6	610	583	650	75	97	40	20	21	7	29	44,5	M 16 X 30	
HM 31/560 + MS 31/600-560		650	608	710	85	110	45	25	21	7	54	86,5	M 20 X 40	
HM 30/600 + MS 30/600-530	Tr 600 X 6	660	628	700	75	97	45	20	21	7	34	53,0	M 16 X 30	
HM 31/600 + MS 31/600-560		690	648	750	85	110	45	25	21	7	54	91,5	M 20 X 40	
HM 30/630 + MS 30/630	Tr 630 X 6	690	658	730	75	97	45	20	21	7	34	55,0	M 16 X 30	
HM 31/630 + MS 31/630		730	685	800	95	120	50	28	21	7	61	125,5	M 20 X 40	
HM 30/670 + MS 30/670	Tr 670 X 6	740	703	780	80	102	45	20	21	7	39	68,5	M 16 X 30	
HM 31/670 + MS 31/670		775	730	850	106	131	50	28	21	7	66	155,6	M 20 X 40	
HM 30/710 + MS 30/710	Tr 710 X 7	780	742	830	90	112	50	25	21	7	39	91,5	M 16 X 30	
HM 30/750 + MS 30/800-750	Tr 750 X 7	820	782	870	90	112	55	25	21	7	39	94,0	M 16 X 30	
HM 30/800 + MS 30/800-750	Tr 750 X 7	870	832	920	90	112	55	25	21	7	39	99,7	M 16 X 30	
HM 30/850 + MS 30/900-850	Tr 850 X 7	925	887	980	90	115	60	25	21	7	44	115,3	M 20 X 40	

* Note: HM locknuts have trapezoidal threads.